



MICROWAVE NETWORKS

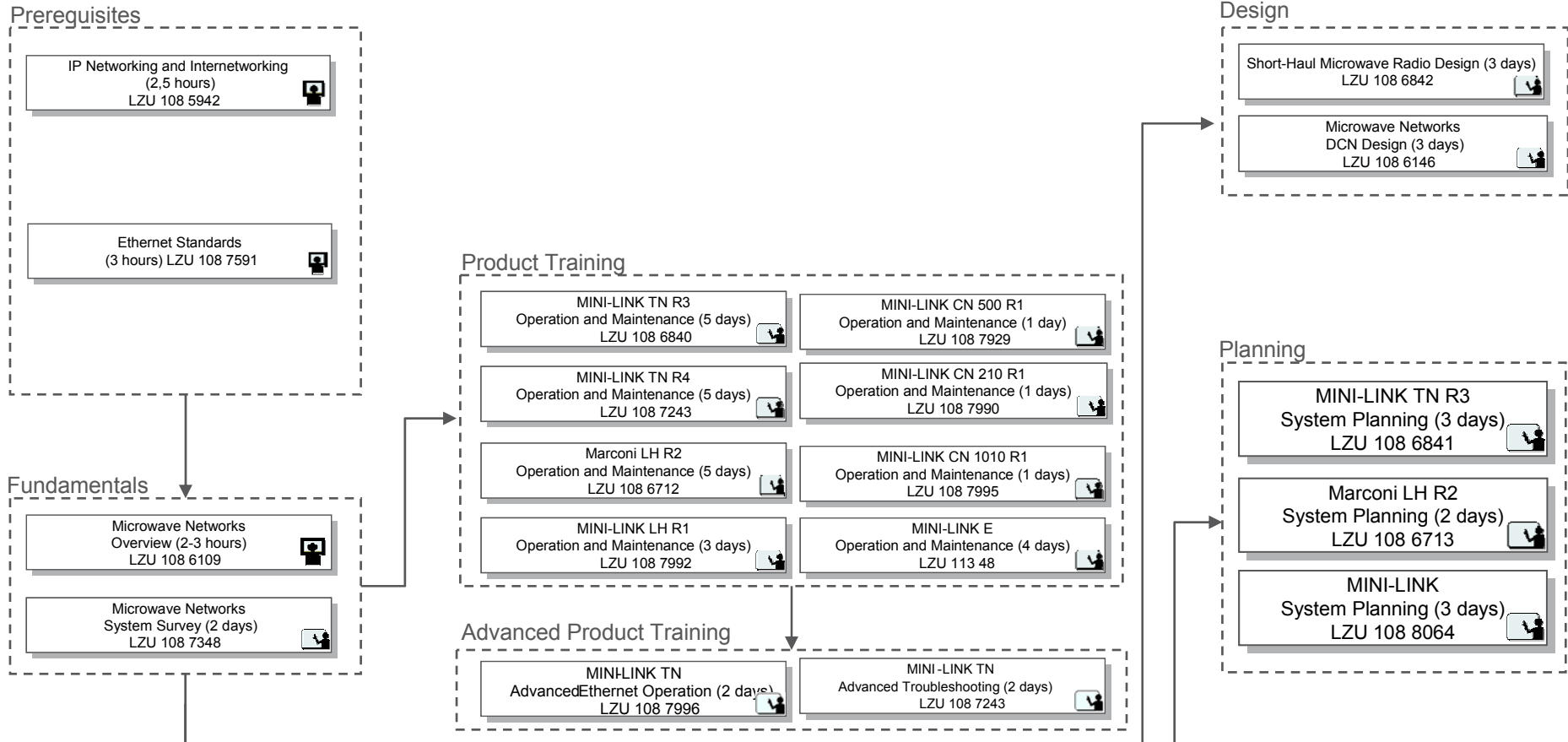
TRAINING PROGRAM



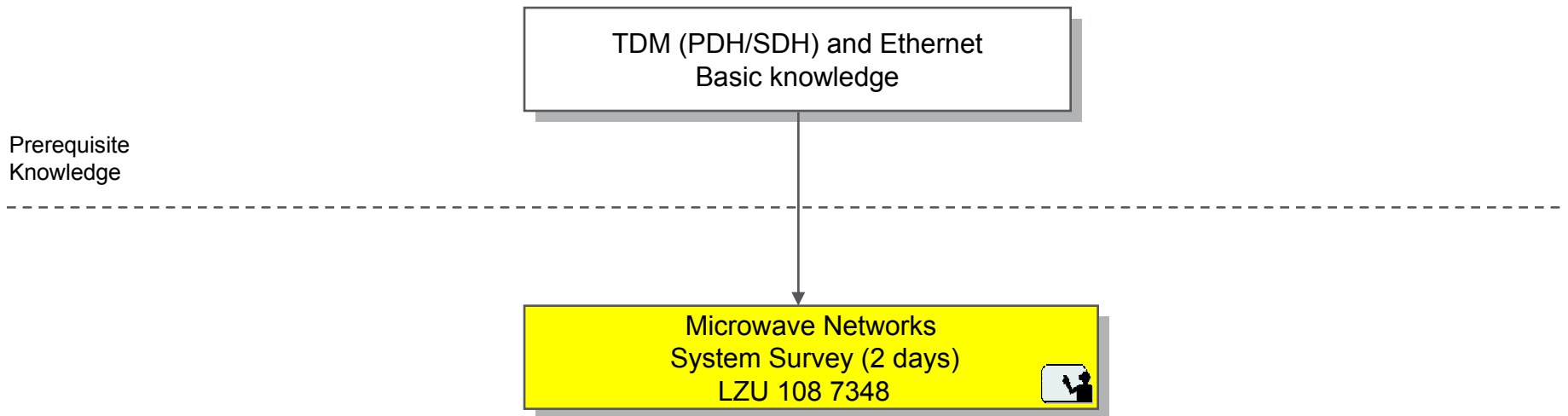
MICROWAVE NETWORKS COURSES OVERVIEW



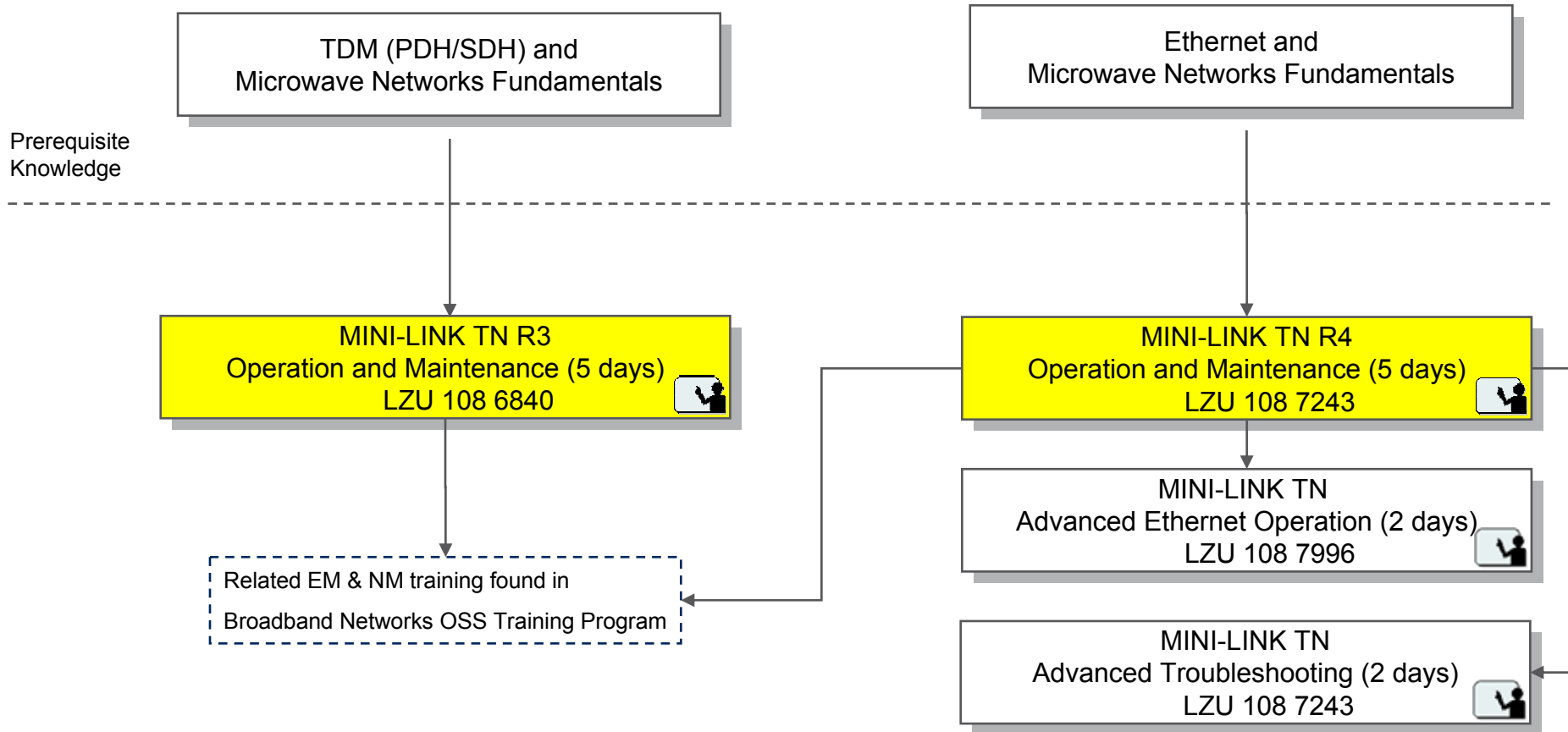
Only for portfolio overview purpose, not showing all courses or actual flows!



MICROWAVE NETWORKS FUNDAMENTALS



MINI-LINK TN



MARCONI LH AND MINI-LINK LH

TDM (PDH/SDH) and
Microwave Networks Fundamentals

Ethernet and
Microwave Networks Fundamentals

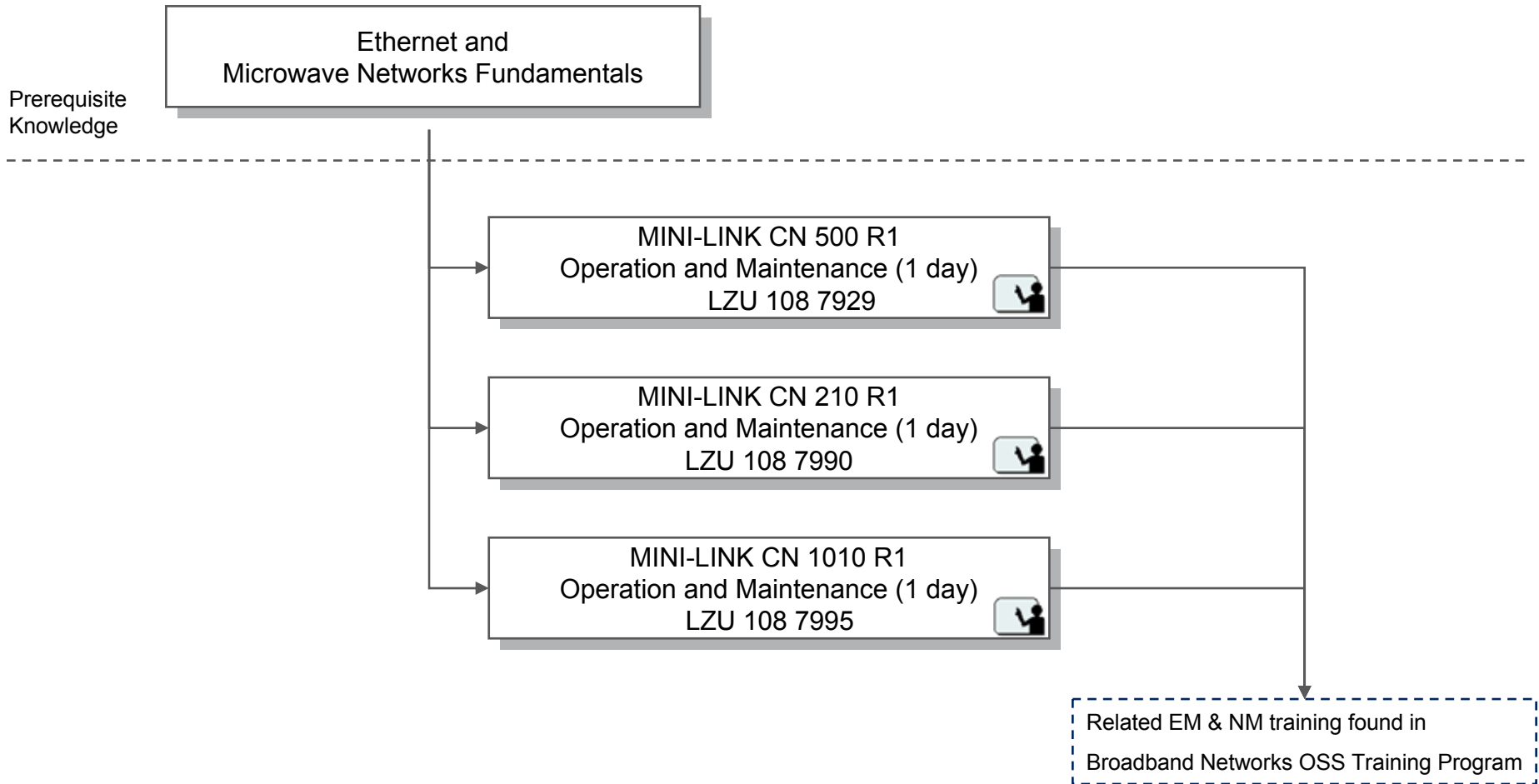
Marconi LH R2
Operation and Maintenance (5 days)
LZU 108 6712 

MINI-LINK LH R1
Operation and Maintenance (3 days)
LZU 108 7992 

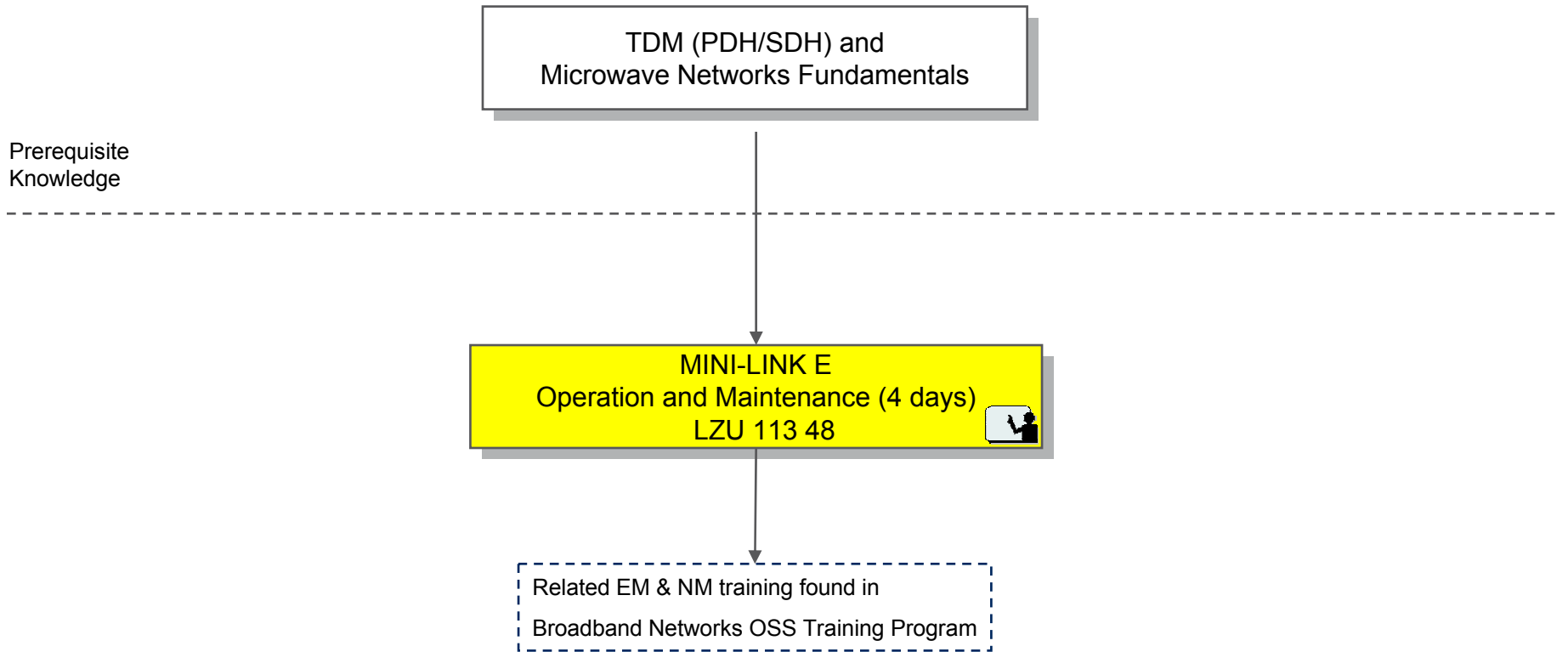
Related EM & NM training found in
Broadband Networks OSS Training Program

Prerequisite
Knowledge

MINI-LINK CN

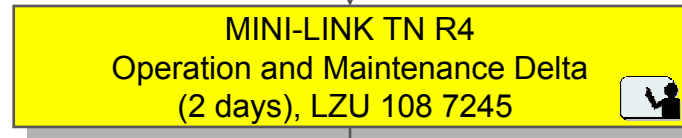


MINI-LINK E



MINI-LINK TN DELTA COURSES

Prerequisite
Knowledge



Related EM & NM training found in
Broadband Networks OSS Training Program

MICROWAVE NETWORKS RADIO AND DCN DESIGN



MICROWAVE NETWORKS PLANNING

