

ENGINE 2.0

Training Programs

Package Presentation



Introduction

- The training package is supporting the Ericsson ENGINE Solution
- The training package offers clearly defined yet flexible training paths to target specific technical and business staff within your organisation
- The training package uses blended learning – from traditional classroom teaching to learning off the web

Why invest in Ericsson ENGINE Training Package?

- **Faster time to revenue**
 - *“You can secure an rapid competence build-up, enabling an early ENGINE launch.”*
- **Cost efficiency**
 - *“With competent and skilled staff, you will have a well-performed network, improving productivity and profitability.”*
- **Increased performance/less churn**
 - *“With competent and skilled staff, you will ensure high quality of service, leading to higher end-user satisfaction and competitiveness.”*
- **Minimal risk**
 - *“Your competent and skillful staff will be able to help you in maintaining a cost effective organization.”*
- **Organizational effectiveness**
 - *“Your staff will become more motivated through competence development and learning culture, which ensure you an effective organization for long-term success.”*

What's in the Training Package? (Target Audience & Competence Levels)

**Network
Operation**

Network Surveillance

**Network
Configuration**

Fundamentals

**Network
Maintenance**

Field Maintenance

**System
Administration**

**Network
Development**

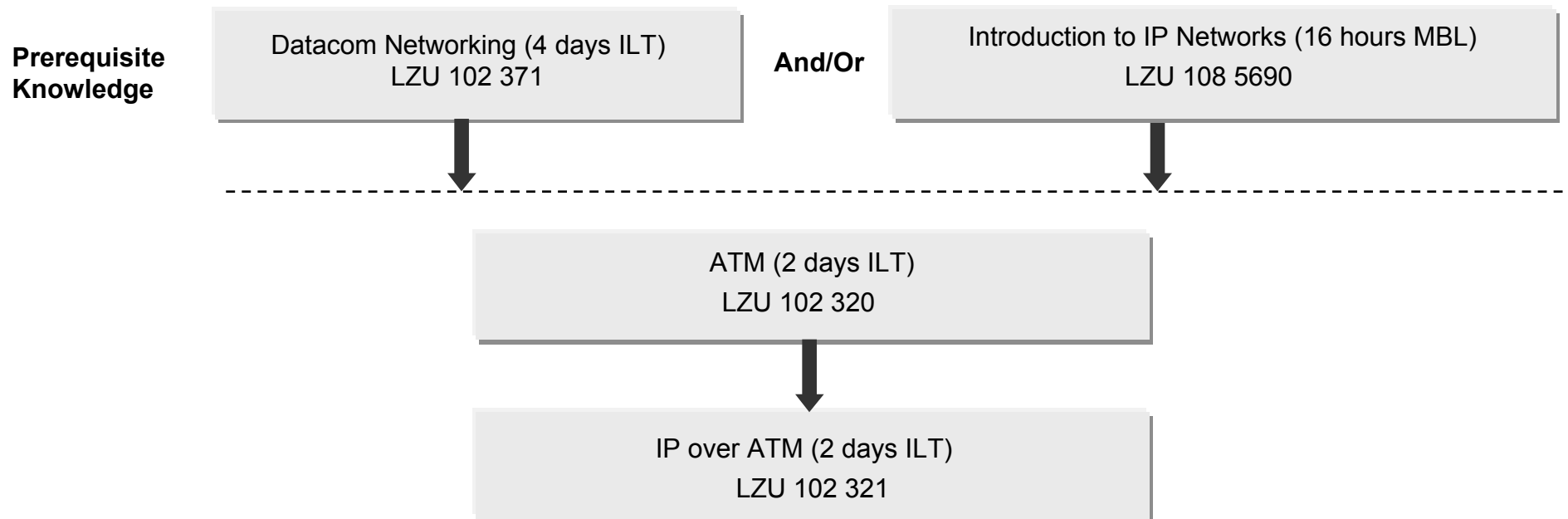
**Core Network
Dimensioning**

**Customer
Management**

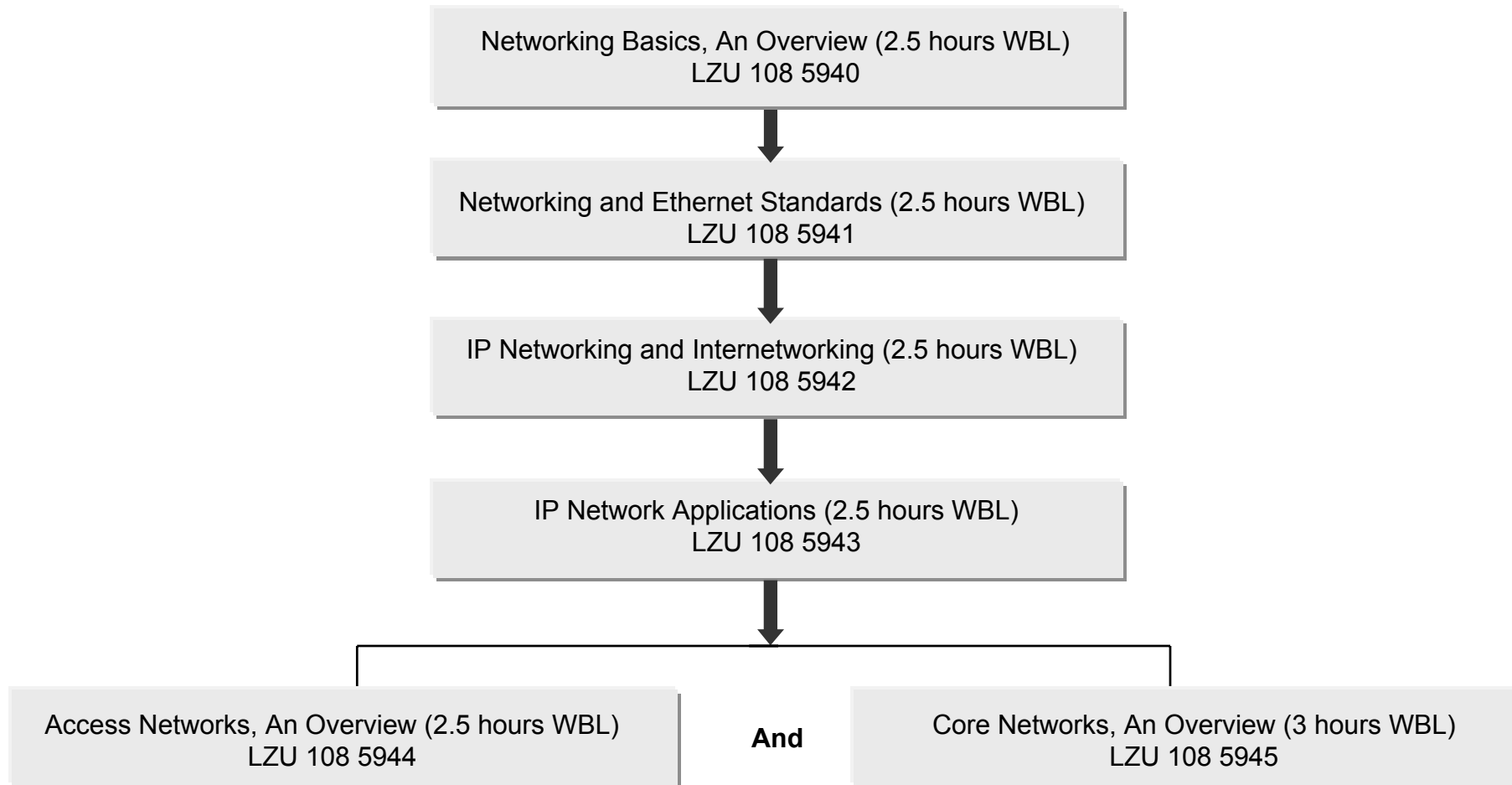
Customer Care

**Business
Management**

ATM Fundamentals (FAY 113 44)

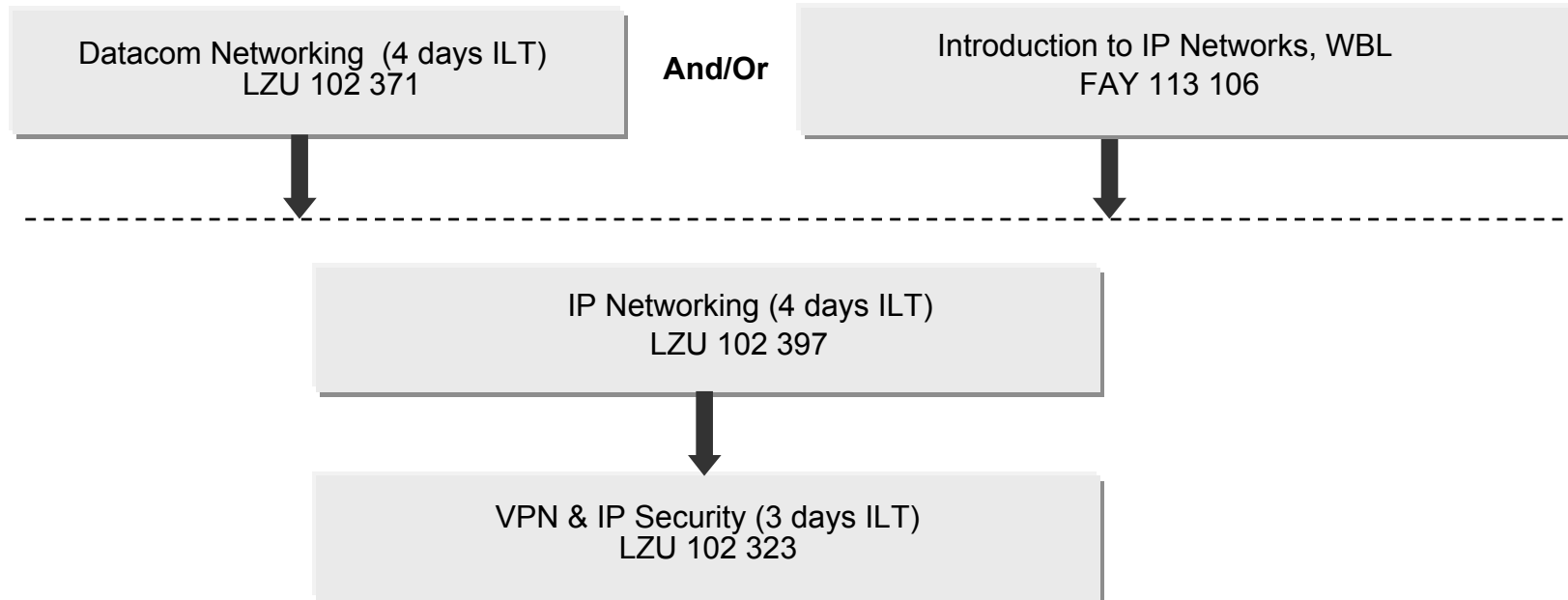


Introduction to IP Networks, WBL (FAB 102 1313)

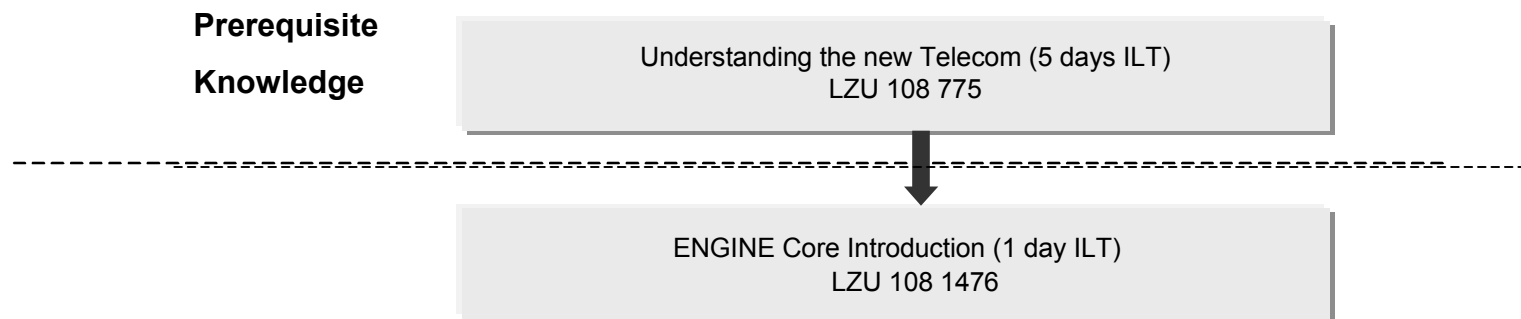


IP Fundamentals (FAY 113 45)

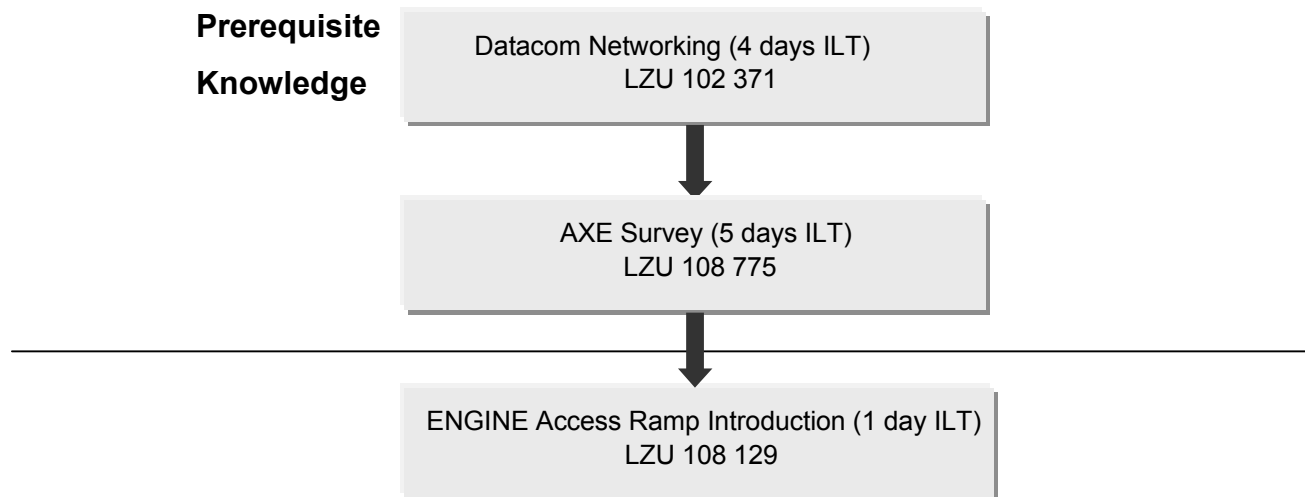
Prerequisite Knowledge



Engine Core Fundamentals (FAY 113 47)

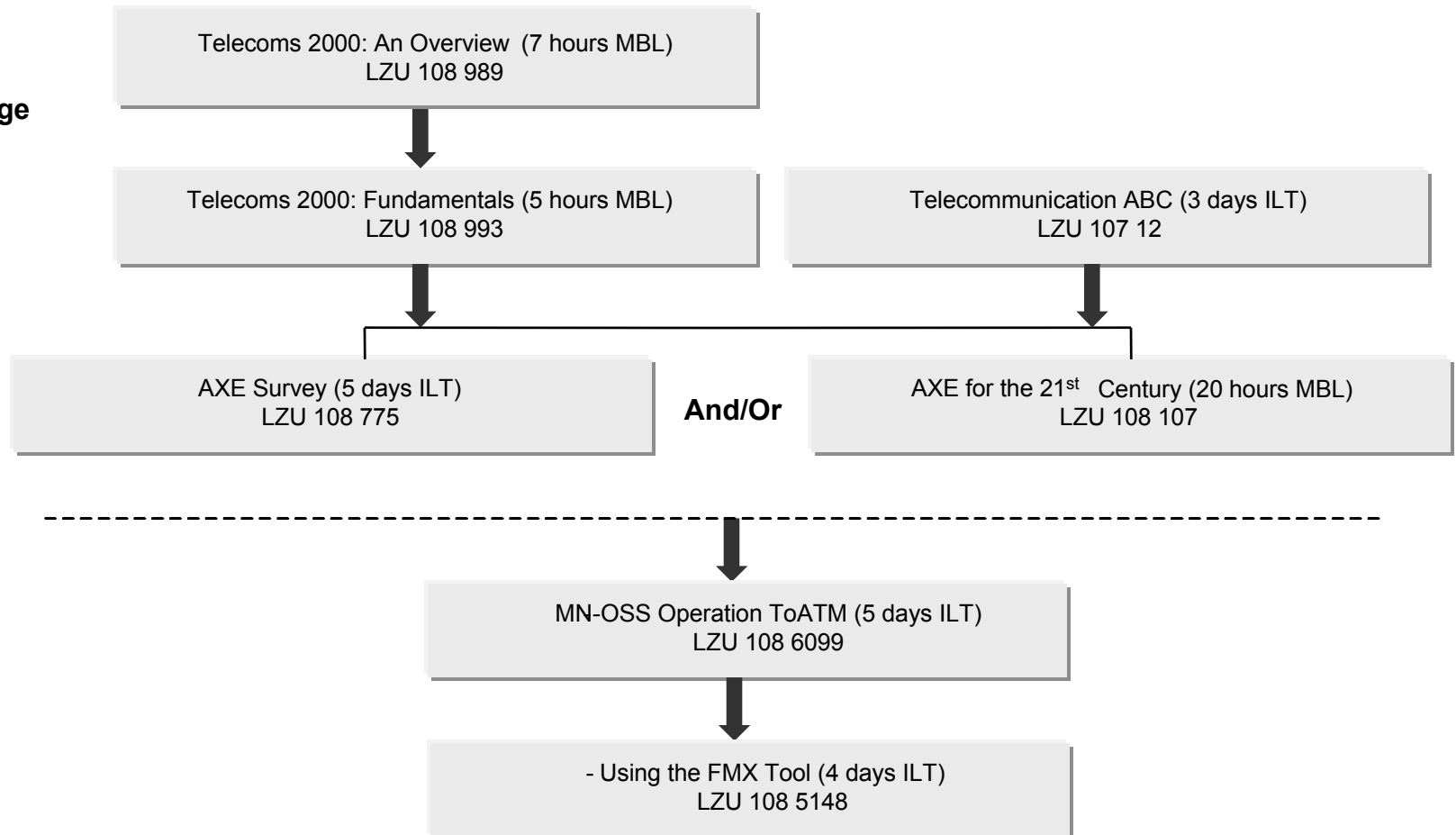


Engine Access Ramp Fundamentals (FAY 113 46)



MN-OSS Operation Telephony over ATM/AXE, Network Surveillance (FAY 113 51)

Prerequisite Knowledge



MN-OSS (AXD 301/305) Network Surveillance (FAY 113 53)

**Prerequisite
Knowledge**

Telecommunications ABC (3 days ILT)
LZU 107 12



MN-OSS Operation AXD (3 days ILT)
LZU 108 5957

MN-OSS System Administration, Network Surveillance (FAB 102 1340)

Prerequisite Knowledge

MN – OSS Operation ToATM/AXE, Network Surveillance FAY 113 51
MN – OSS (AXD 301/305) Network Surveillance FAY 113 53



MN – OSS System Administration (5 days ILT)
LZU 108 5948

AXD 301/305 4.0 Network Configuration (FAY 113 56)

Prerequisite Knowledge

ATM Fundamentals
FAY 113 44

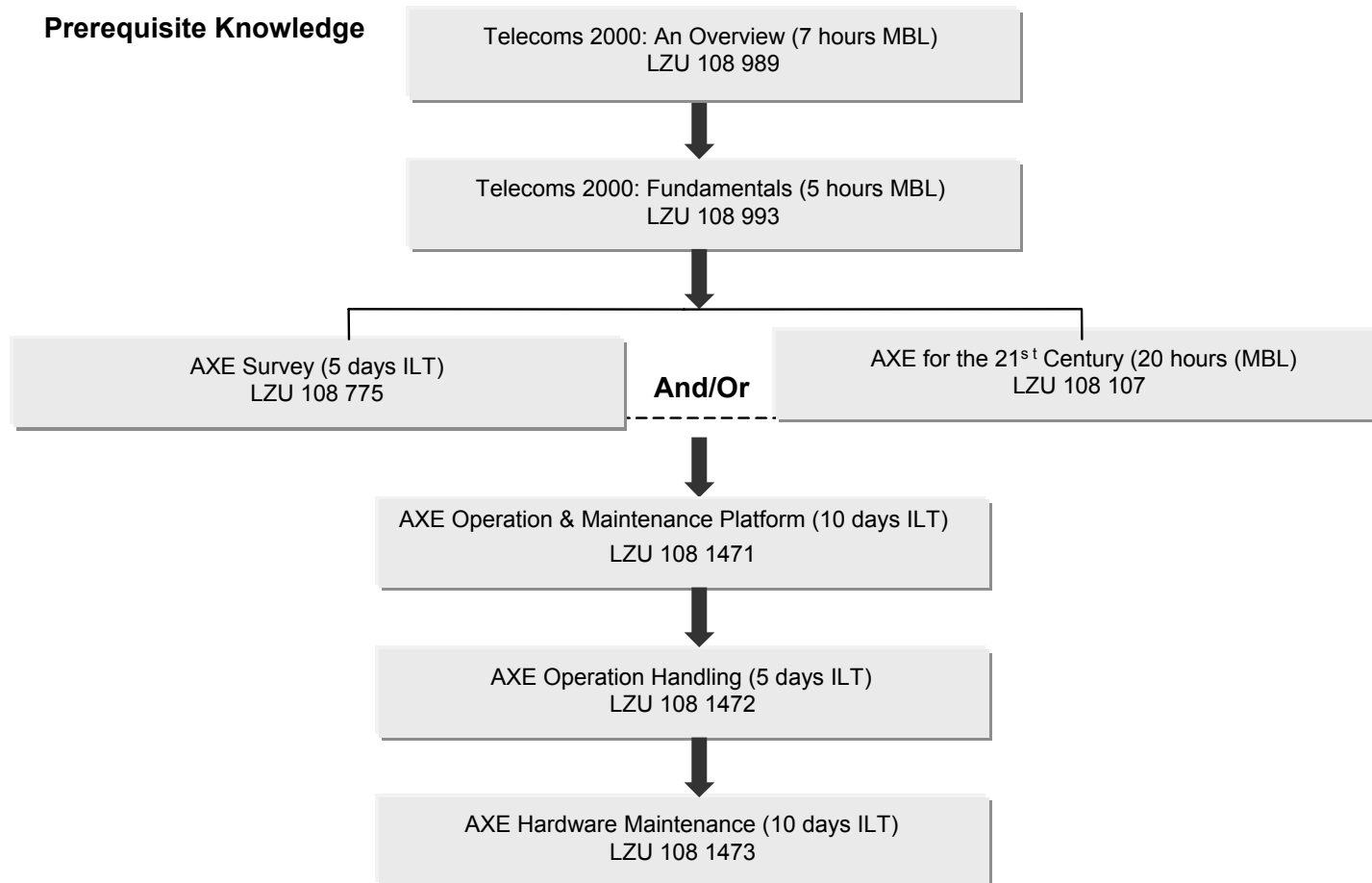
AXD 301/305 Installation & Maintenance (2 days ILT)
LZU 102 326

AXD 301/305 System Configuration (3 days ILT)
LZU 102 327

AXD 301/305 Signalling & Routing (2 days ILT)
LZU 102 328

AXE Network Configuration (FAY 113 50)

Prerequisite Knowledge



APG 40 Operation & Configuration (FAY 113 59)

Prerequisite Knowledge

Windows NT knowledge
AXE Survey LZU 108 775

APG 40 Operation & Maintenance (4 days ILT)
LZU 108 5870

**Training for
System Administrators**

APG 40 Installation & Configuration (2 days ILT)
LZU 108 5871

**Training
on applications**

APG 40 FOS Configuration (2 days ILT)
LZU 108 2021

APG 40 Recovery Procedures (2 days ILT)
LZU 108 6326

AXE Enabler Network Configuration (FAY 113 60)

**Prerequisite
Knowledge**

Local 7 to Local 7.2 Delta (2 days ILT)
LZU 108 5501



AXE Enabler 1.0 Delta (3 days ILT)
LZU 108 5933

APZ 212 30/33 Network Configuration (FAY 113 61)

**Prerequisite
Knowledge**

Knowledge of older APZ 212 versions



APZ 212 30/33 Delta (1 days ILT)
LZU 108 1446

ENGINE Core Signaling Network Configuration (FAB 102 1347)

**Prerequisite
Knowledge**

ENGINE Core Fundamentals
FAB 102 1337



ENGINE Signalling in the Core Network (4 days ILT)
LZU 108 897/5

ENGINE Integral Network Configuration (FAY 113 63)

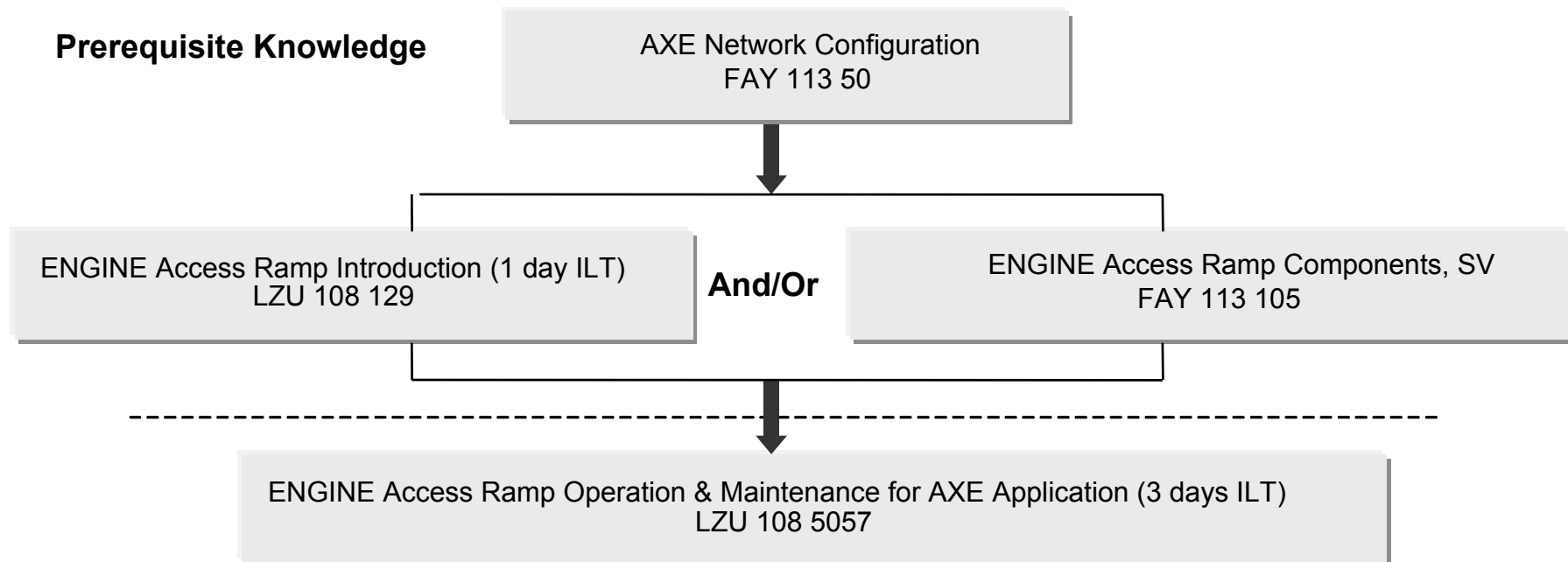
**Prerequisite
Knowledge**

ENGINE Core Fundamentals, FAY 113 47
AXD 301/305 Network Configuration, FAY 113 48
AXE Network Configuration FAY 113 50

ENGINE Integral Integration & Verification (4 days ILT)
LZU 108 5860

ENGINE Integral Network Fault Finding (3 days ILT)
LZU 108 5932

ENGINE Access Ramp Narrowband Network Configuration (FAY 113 64)



ENGINE Integral Network Dimensioning (FAY 113 67)

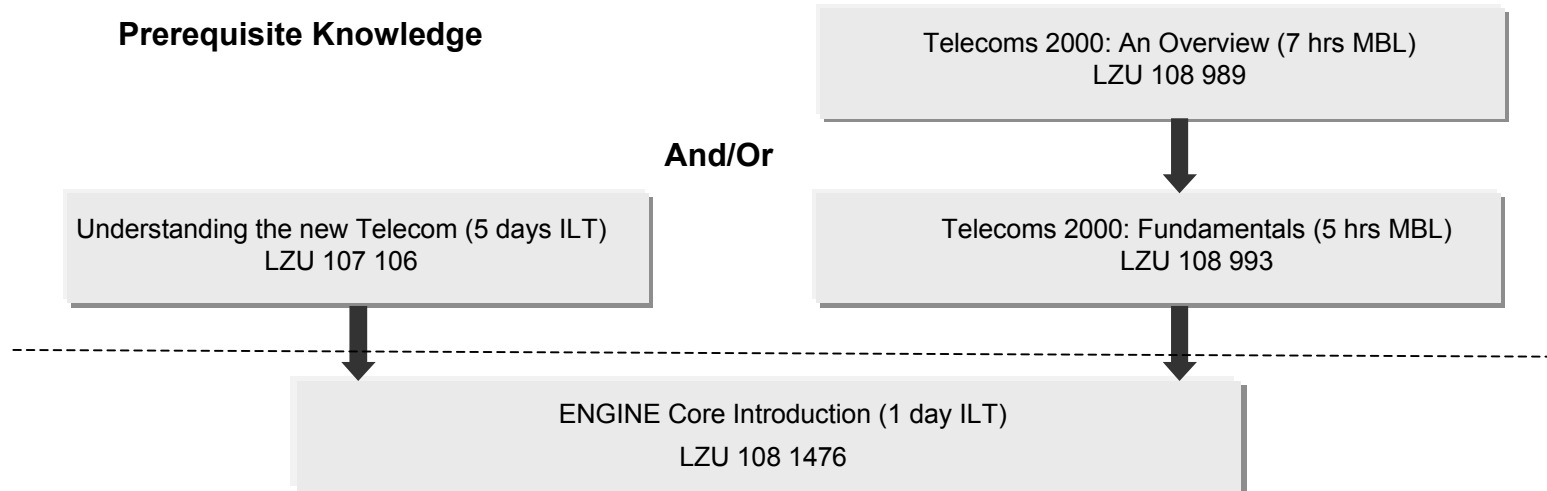
**Prerequisite
Knowledge**

ENGINE Core Fundamentals
FAY 113 47



ENGINE Integral Network Dimensioning (2 days ILT)
LZU 108 5653

Engine Core Business Management (FAY 113 83)



APG 40 Business Management (FAY 113 69)

**Prerequisite
Knowledge**

Telecoms 2000: An Overview (7 hours MBL)
LZU 108 989



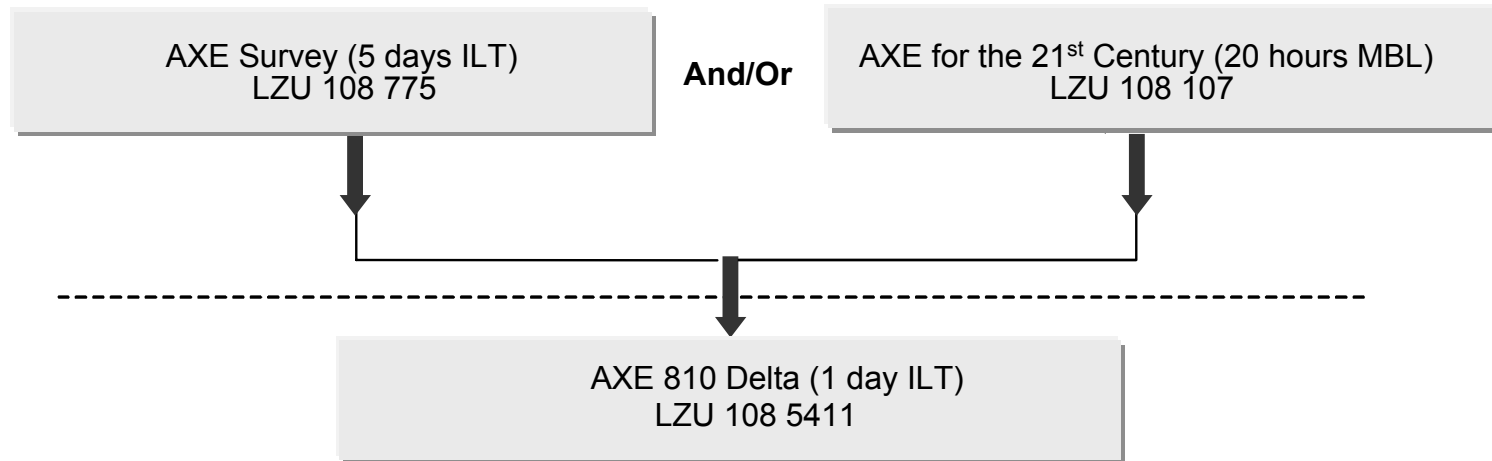
Telecoms 2000: Fundamentals (5 hours MBL)
LZU 108 993



APG 40 Introduction (½ day ILT)
LZU 108 5869

AXE 810 Business Management (FAY 113 70)

Prerequisite Knowledge



Engine Access Ramp Business Management (FAY 113 84)

**Prerequisite
Knowledge**

Datacom Networking (4 days ILT)
LZU 102 371

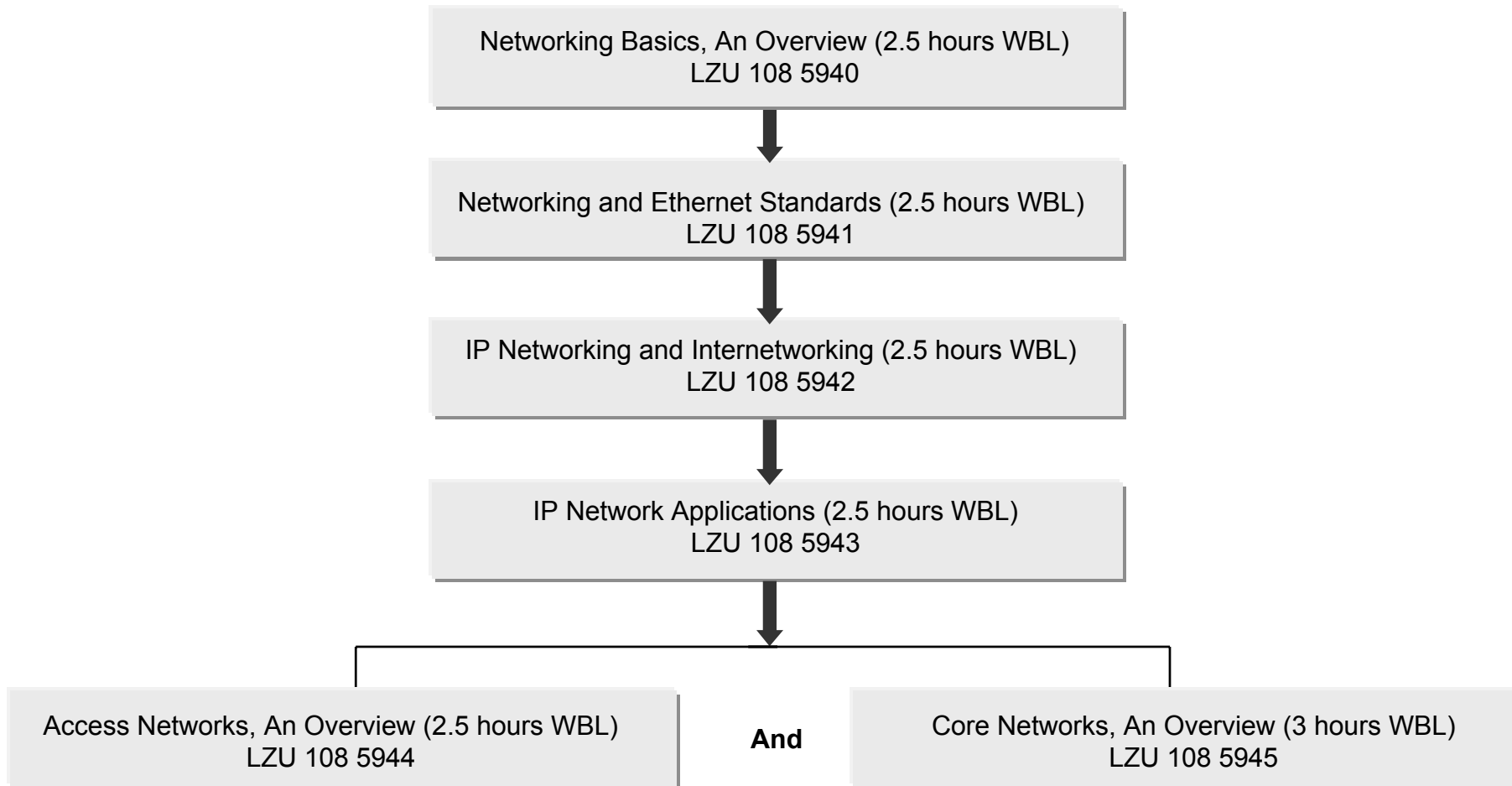


AXE Survey (5 days ILT)
LZU 108 775



ENGINE Access Ramp Introduction (1 day ILT)
LZU 108 129

Introduction to IP Networks, WBL (FAB 102 1313)



How do we deliver?

- ILT courses, delivered at Ericsson training centres or at customers site.
- e-learning products delivered by either Internet solution or Education Online portal on the extranet towards external customers.



Why Ericsson Education?

- **Global strength local expertise**
 - One of the worlds largest competenc solutions suppliers
- **Broad Global Service Product Portfo**
- **Blended learning solutions**
 - Instructor Led Training (ILT)
 - On-the-job programs
 - Web based learning (WBL)
 - Streaming Videos (SV)
 - Seminars
 - Multi-media based learning (MBL)
 - Virtual Classroom/ Remote Training
 - Online Articles
 - On the Job Training
 - Workshop



Cover all competence areas

- Technical/Professional, Business and Human skills

Summary

- **Be empowered**
- **Ericsson Education is your competence partner**
- **Linking human performance to business outcomes**
- **will give you the power to succeed. Our solutions**
- **combine global strength with local expertise -**
- **increase your performance anytime, anywhere.**
- **With us, you will be first choice.**



Global reach, at a local level!

